

Data Sheet

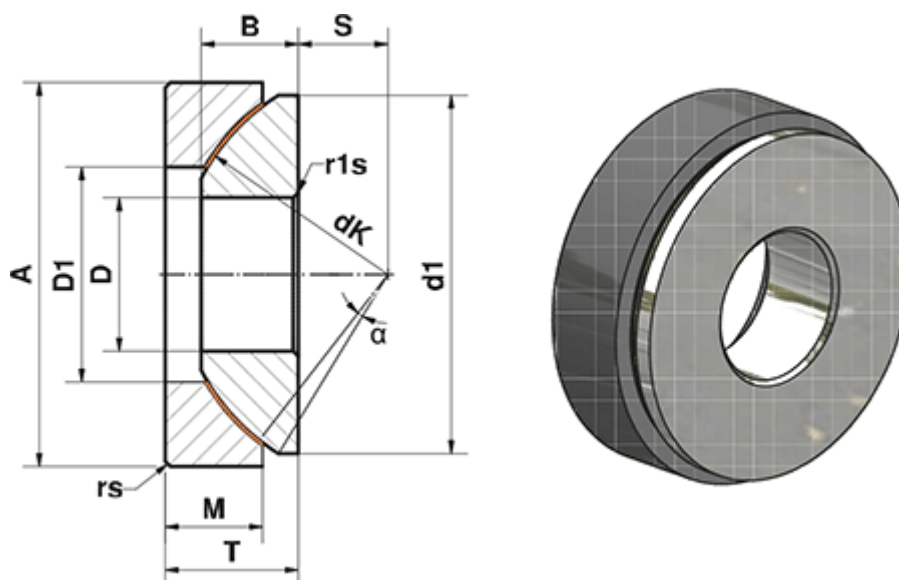


Article number: 03450010

Description: Fluro Heavy Duty Spherical Plain Bearing GE 10 AWE
Hole \varnothing 10

Note: 10

Measures



A	= 30	M	= 7
a (degrees)	= 5	rs, r1s min	= 0.6
B	= 7.5	S	= 7
D	= 10	Static load C0 (kN)	= 146
D1	= 17	T	= 9.5
d1 min	= 27.5	Weight (g)	= 36
dK	= 32		
Dynamic load C (kN)	= 88		